


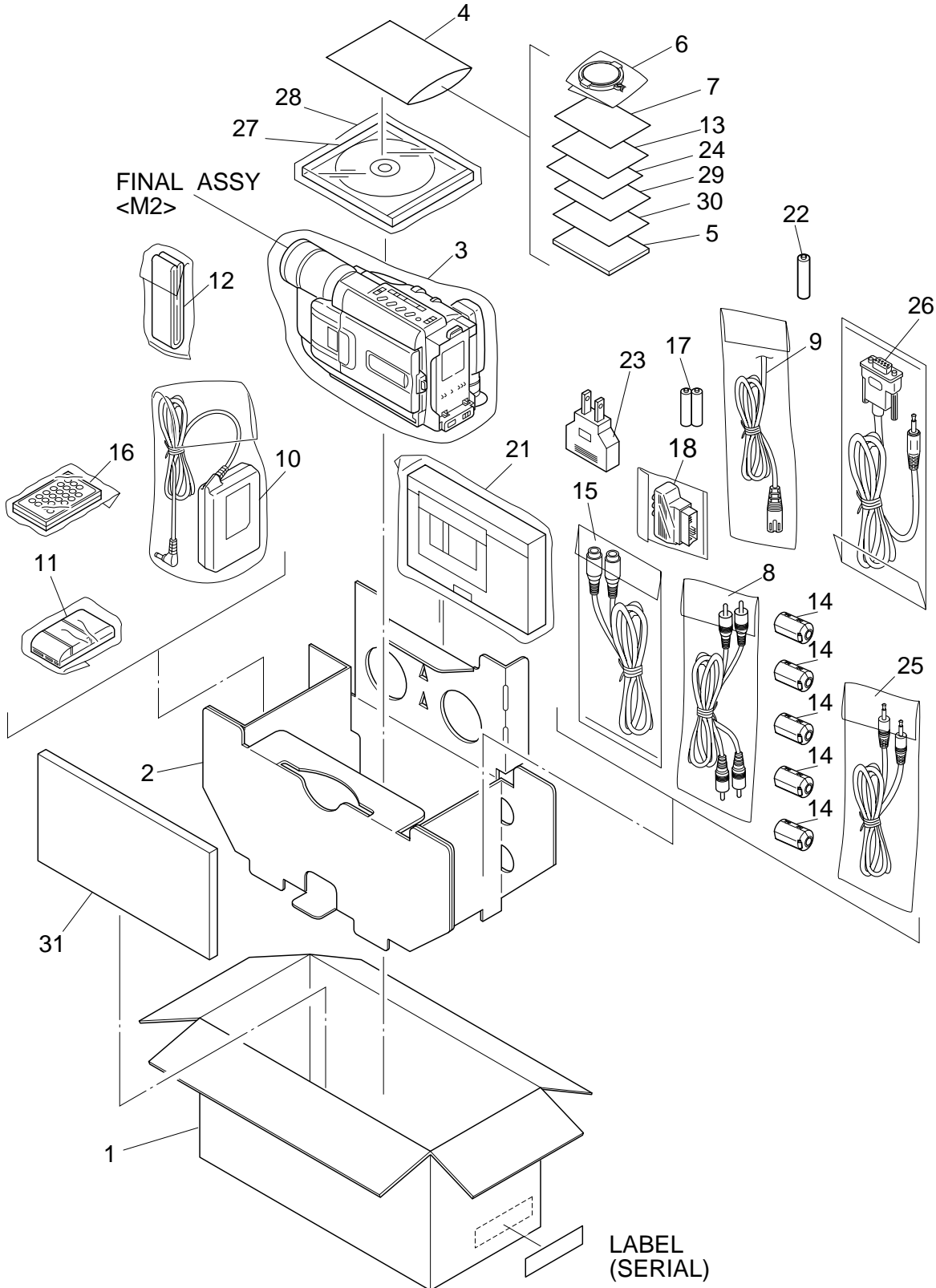
SECTION 5 PARTS LIST

SAFETY PRECAUTION

Parts identified by the  symbol are critical for safety. Replace only with specified part numbers.

5.1 PACKING AND ACCESSORY ASSEMBLY <M1>

The instruction manual to be provided with this product will differ according to the destination.



#	△ REF No.	PART No.	PART NAME, DESCRIPTION

PACKING AND ACCESSORY ASSEMBLY <M1>			
1		LY32054-011A	PACKING CASE,F
		LY32054-027A	PACKING CASE,B
		LY32054-030A	PACKING CASE,E
		LY32054-077A	PACKING CASE,A
		LY32054-085A	PACKING CASE,D
		LY32179-004A	PACKING CASE,C
2		LY32065-001A	CUSHION
3		LY30023-002A	POLY BAG
4		YQM30061-3	POLY BAG,F
		QPA02003506	POLY BAG,A,B,C,D,E
△ 5		LYT0671-002A	IB(GE),C
△		LYT0671-003A	IB(FR),C
△		LYT0671-004A	IB(DU),C
△		LYT0671-005A	IB(SP),C
△		LYT0671-006A	IB(IT),C
△		LYT0671-007A	IB(DA),C
△		LYT0671-008A	IB(FI),C
△		LYT0671-009A	IB(SW),C
△		LYT0671-010A	IB(NO),C
△		LYT0671-011A	IB(RU),C
△		LYT0671-012A	IB(CZ),C
△		LYT0671-013A	IB(PO),C
△		LYT0671-014A	IB(HU),C
△		LYT0675-001A	IB(EN),F
△		LYT0675-002A	IB(CH),F
△		LYT0675-003A	IB(RU),F
△		LYT0675-004A	IB(AR),F
△		LYT0683-001A	IB(EN),A,B,D,E
△		LYT0683-002A	IB(CH),A,B,D,E
△		LYT0683-003A	IB(RU),A,B,D,E
△		LYT0683-004A	IB(AR),A,B,D,E
6		LY41538-002B	LENS CAP
7		BT-54013-1	WARRANTY CARD,C
8		PEAC0362-150	CABLE ASSY(AUDIO/VIDEO)
△ 9		QMPL120-190-JR	POWER CORD,A,C,D,F
△		QMPS110-190-JR	POWER CORD,B,E
△ 10		LY20688-001A	AC ADAPTER,AP-V10EG,C
△		LY20688-003A	AC ADAPTER,AP-V10A,A,D,F
△		LY20688-004A	AC ADAPTER,AP-V10A-S,B,E
△ 11		LY31199-001A	BATTERY PACK,BN-V20BU,C
△		YQ10629E	BATTERY PACK,BN-V11U,A,B,D,E,F
12		LY20186-001A	SHOULDER STRAP
13		YU30843-7-1	SOFT WARE PERM. F
14		QQR0491-002	CORE FILTER,X3 A,B
		QQR0491-002	CORE FILTER,X4 C,D,E
		QQR0491-002	CORE FILTER,X5 F
15		QAM0004-003	S CABLE,S-VIDEO CABLE,C,D,E,F
16		LY20543-002A	REMOTE CONTROL UNIT,RM-V716U,D,E,F
		LY42129-001A	REMOTE CONTROL UNIT,RM-V715U,C
17		-	AAA(R03)BATTERY,FOR RCU,X2 C,D,E,F
18		QAM0302-001	ADAPTER PLUG,C
21		YQ31963A-3	CASSETTE ADAPTER,A,B,D,E,F
		or YQ31963B-3	CASSETTE ADAPTER,A,B,D,E,F
22		-	AA(R6)BATTERY,FOR CASS.ADAPTER,A,B,D,E,F
△ 23		PEMC1012	CONVERSION PLUG,B,E
△		PEMC1012-02	CONVERSION PLUG,A,D,F

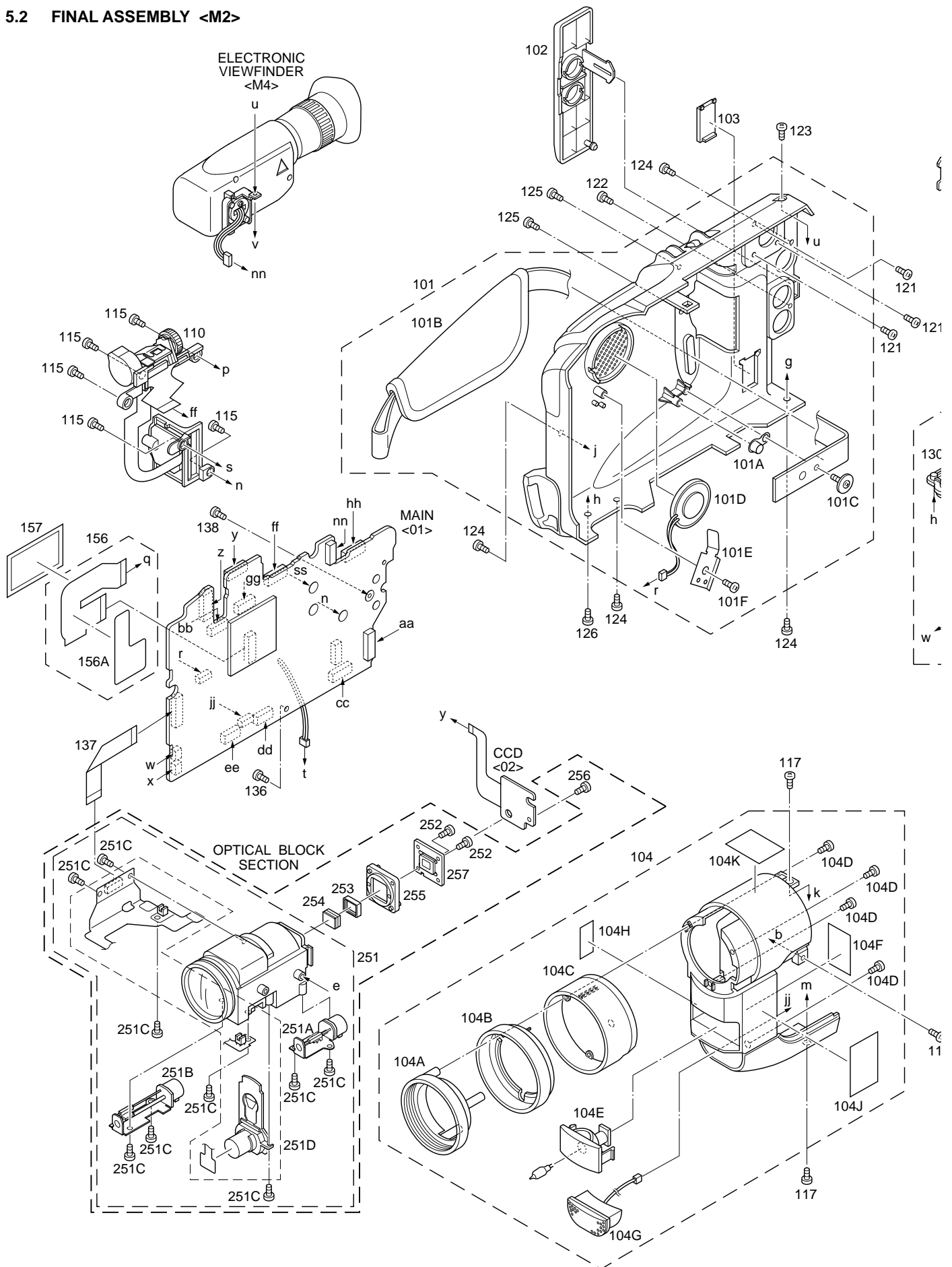
#	△ REF No.	PART No.	PART NAME, DESCRIPTION
24		LYT0609-001A	SHEET(CON.PLUG),A,B,D,E,F
25		PEAC0428-150	CABLE ASSY(EDITING),D,F
26		QAM0084-001	PC CONNECTION CABLE,F
27		LY31133-001B	CD ROM,F
28		LY30023-010A	POLY BAG,F
29		LYT0309-004A	SHEET(INSTALL),F
30		LYT0378-003A	SHEET(AGREEMENT),F
31		LY43032-001A	SPACER(PACKING),D,E,F

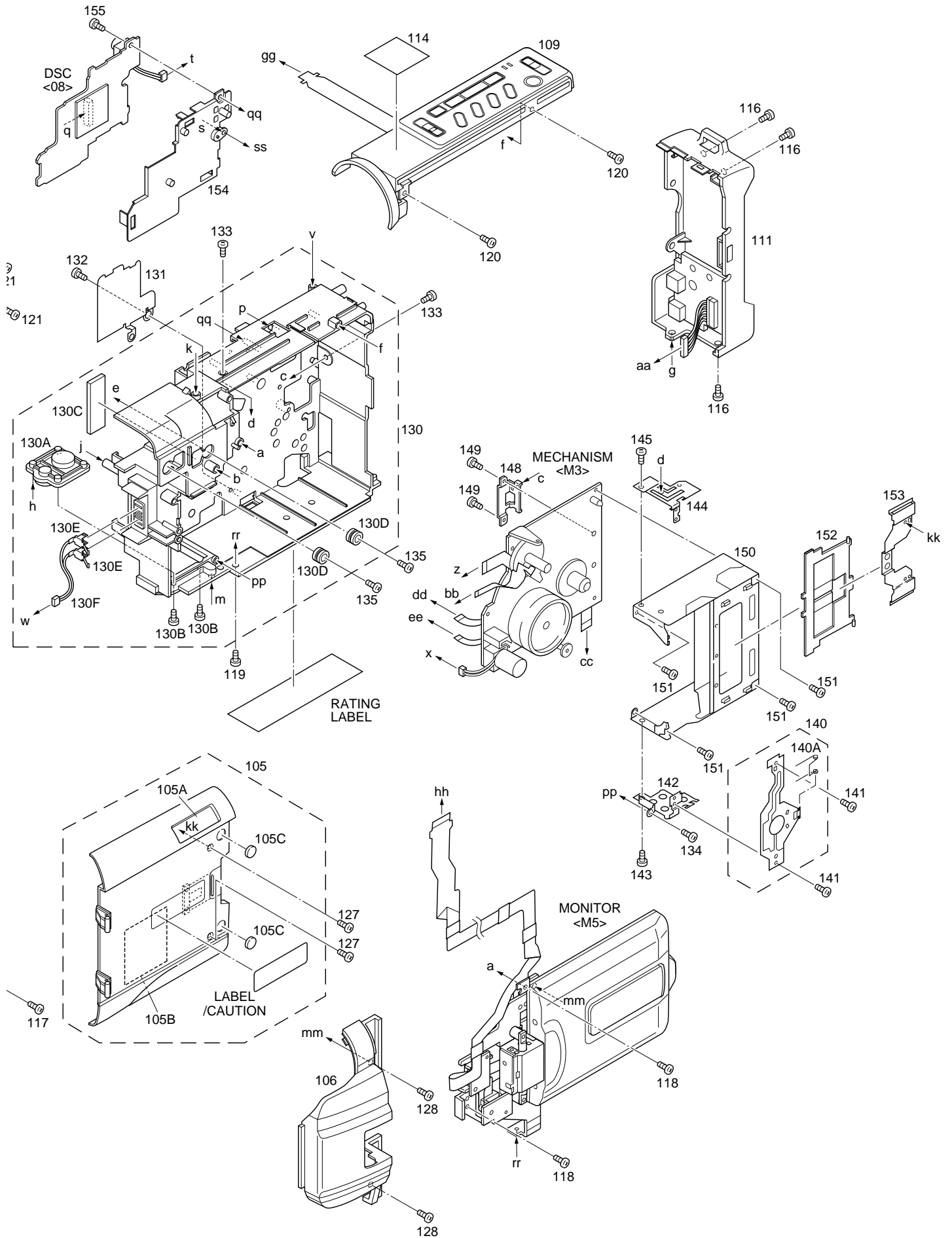
• **INSTRUCTIONS**

EN ENGLISH
 GE GERMANY
 FR FRENCH
 DU DUTCH
 SP SPANISH
 IT ITALIAN
 DA DANISH
 FI FINNISH
 SW SWEDISH
 NO NORWEGIAN
 RU RUSSIAN
 CZ CZECH
 PO POLISH
 HU HUNGARIAN
 CH CHINESE
 AR ARABIC

MODEL	MARK
GR-FXM270A	A
GR-FXM270A-S	B
GR-SXM57EG	C
GR-SXM470A	D
GR-SXM470A-S	E
GR-SXM770A	F

5.2 FINAL ASSEMBLY <M2>





#	△ REF No.	PART No.	PART NAME, DESCRIPTION

FINAL ASSEMBLY <M2>			
101		LY20684-006A	LOWER CASE ASSY,A,B
		LY20684-008A	LOWER CASE ASSY,C,D,E
		LY20684-009A	LOWER CASE ASSY,F
101A		LY40081-001A	CAP
101B		LY20682-001A	GRIP BELT
101C		LY30018-003A	SPECIAL SCREW
101D		QAS0061-001	SPEAKER
101E		LY42764-001B	HOLDER(SPEAKER)
101F		QYSLSF2050Z	SCREW
102		LY31945-001B	COVER(JACK)
103		LY31946-001A	COVER(JIG)
104		LY20683-007A	FRONT COVER ASSY,F
		LY20683-007B	FRONT COVER ASSY,A,B,D,E
		LY20683-009B	FRONT COVER ASSY,C
104A		LY31937-001A	HOOD
104B		LY31938-001A	COVER(HOOD)
104C		LY31936-001A	RING
104D		QYSLSF2060D	SCREW,X4
104E		LY32040-001A	DC LIGHT
104F		LY30029-0B4A	SPACER(A)
104G		LY32043-001A	MICROPHONE
104H		YQ44341-6	CAUTION LABEL
104J		LY32058-002A	STICKER(A)
104K		LY32060-002A	STICKER(C)
105		LY20694-002A	CASS.COVER(M)ASSY,A,B,D,E,F
		LY20694-003A	CASS.COVER(M)ASSY,C
105A		LY42883-001A	MARK
105B		LY40559-001A	SHIELD SHEET
105C		LY40076-001A	SPACER,X2
106		LY10257-003A	UPPER CASE(M),C
		LY10257-021A	UPPER CASE(M),A,B
		LY10257-022A	UPPER CASE(M),D,E
		LY10257-023A	UPPER CASE(M),F
109		LY20614-002B	TOP OPE UNIT,A,B,D,E
		LY20614-003B	TOP OPE UNIT,C
		LY20614-005B	TOP OPE UNIT,F
110		LY20613-001A	ZOOM UNIT
111		LY20615-001A	REAR UNIT,C,D,E,F
		LY20615-004A	REAR UNIT,A,B
114		LY32061-001A	STICKER(D),A,B,C,D,E
		LY32061-004A	STICKER(D),F
115		QYSLSF2060D	SCREW,X5
116		QYSLSF2060D	SCREW,X3
117		QYSLSF2060D	SCREW,X3
118		QYSLSF2060D	SCREW,X2
119		QYSLSP2030D	SCREW
120		QYSLSF2060D	SCREW,X2
121		QYSLSF2050Z	SCREW,X3
122		QYSLSF2060D	SCREW
123		QYSLSF2060D	SCREW
124		QYSLSF2060D	SCREW,X4
125		QYSLSF2060D	SCREW,X2
126		QYSLSF2060D	SCREW
127		QYSLSP2030D	SCREW,X2
128		QYSLSP2030D	SCREW,X2
130		LY20678-001A	FRAME ASSY
130A		YQ31843	BASE
130B		QYSLSF2060D	SCREW,X2

#	△ REF No.	PART No.	PART NAME, DESCRIPTION
130C		LY30029-0A4A	SPACER(A)
130D		LY41082-001A	CUSHION(OP),X2
130E		YQ43810-1-1	CONTACT(LIGHT),X2
130F		WJM0167-001A	E-SI C WIRE C-F
131		LY42758-001A	S.CASE(MAIN)
132		QYSPSTU1725M	SCREW
133		LY41173-001A	SPECIAL SCREW,X2
134		QYSLSF1750D	SCREW
135		LY30018-050A	SPECIAL SCREW,X2
136		LY42981-001A	SPECIAL SCREW
137		WJT0039-001A	E-CARD WIRE,OP-MAIN CN15
138		QYSLSF2060D	SCREW
140		LY31790-001A	FRONT FRAME ASSY
140A		YQ44144-1-1	TAPE GUIDE
141		SPSH1725M	SCREW,X2
142		LY31807-001A	SIDE BRACKET L
143		LY42722-003A	SCREW
144		LY31806-001A	SIDE BRACKET R
145		LY42722-003A	SCREW
148		LY31816-001A	BRACKET(MECHA)
149		LY42722-003A	SCREW,X2
150		LY31808-001A	CASS.HOUSING ASSY
151		LY42722-003A	SCREW,X4
152		LY30176-001A	CASS.COV.INSIDE
153		LY31956-001A	BRACKET(C.COV.)
154		LY20645-001A	HOLDER(DSC P.),F
155		QYSLSF2060D	SCREW,F
156		LY42875-001A	FPC(DSC)ASSY,F
156A		LY42876-001A	S.SHEET(DSC FPC),F
157		YU40341	INSULATOR,F

- OPTICAL BLOCK SECTION -

251		LY30948-003A	OP BLOCK ASSY
251A		PTY30948-002	FOCUS MOTOR
251B		PTY30948-321	ZOOM MOTOR
251C		PTY30151-016	SCREW,X9
251D		PTY30948-006	IRIS MOTOR UNIT,INCL.FPC
252		QYSPSGU2080Z	SCREW,X2
253		LY31441-001A	SPACER RUBBER
254		LY41757-001A	OPTICAL LPF
255		LY20346-001A	CCD SPACER
256		LY30018-072A	SPECIAL SCREW
257		LYH40132-002A	CCD BASE ASSY

5.3 ELECTRICAL PARTS LIST

MODEL	MARK	MODEL	MARK
GR-FXM270A	A	GR-SXM470A	D
GR-FXM270A-S	B	GR-SXM470A-S	E
GR-SXM57EG	C	GR-SXM770A	F

▲ REF No. PART No. PART NAME, DESCRIPTION

MAIN BOARD ASSEMBLY <01>

PW	YB10310ED-01	MAIN BOARD ASSY,C
	YB10310EE-01	MAIN BOARD ASSY,F
	YB10310EK-01	MAIN BOARD ASSY,A,B
	YB10310EL-01	MAIN BOARD ASSY,D,E
IC101	UPD703039-026	IC(MICRO C ROM)
	or UPD70F3040-026	IC(MICRO C ROM)
IC102	TC7S86FU	IC(DIGITAL)
	or SN74AHC1G86K	IC
	or MC74VHC1G86DF	IC
IC104	AT25080N-10SC-X	IC
	or X25170S8I-2.5-X	IC
	or 25LC080-I/SN-X	IC
IC105	M62367GP	IC
IC106	IC-PST9327U-X	IC
IC107	RS5C314	IC
▲ IC1601	BD6630KV	IC
IC1801	PIC-26043S	IR DETECT UNIT,C,D,E,F
IC2001	MC74AC04DT	IC
IC2401	NJM2073M-XE	IC
IC3001	JCY0130	IC
IC3002	74HC1G04GW	IC
IC3501	HA118224F	IC
IC4001	JCY0149	IC
IC4002	TMS4C2973-28-X	IC
IC4003	UPD6467GR-506-X	IC(MICRO C ROM)
IC4201	UPC358G2/5/-W	IC
IC4202	BA10324AF-XE	IC
IC4251	BA10358F-XE	IC
IC4501	UPD16835G3	IC
IC4702	NJM2534V	IC,C
IC5201	HD49326BF	IC
IC5202	JCY0098	IC
IC6001	FA3698F	IC
IC7002	MN5814	IC
IC7006	BA4558F	IC
IC7007	TC7S04FU	IC(DIGITAL),A,B,C
	or SN74AHC1G04K	IC,A,B,C
	or MC74VHC1G04DF	IC,A,B,C
IC7008	SN74LV4052APW	IC
Q101	2SA1774/RS/-X	TRANSISTOR
Q102	DTC144EE	TRANSISTOR
Q103	2SC4617/QR/-X	TRANSISTOR
Q104	DTC144EE	TRANSISTOR
Q105	2SA1774/RS/-X	TRANSISTOR
Q110	DTC144EE	TRANSISTOR
Q111	DTC114EE	TRANSISTOR
Q112	DTC114EE	TRANSISTOR
Q113	2SC4097/QR/-X	TRANSISTOR
Q2001	DTA114TE	TRANSISTOR
Q2007	PUMX1	PAIR TRANSISTOR
	or HN1C01FU/G/-X	PAIR TRANSISTOR
	or UMX1N	PAIR TRANSISTOR
Q2008	PUMT1	PAIR TRANSISTOR
	or HN1A01FU/G/-X	PAIR TRANSISTOR
Q2021	DTC144EE	TRANSISTOR
Q2022	DTC144EE	TRANSISTOR
Q2023	2SC4617/QR/-X	TRANSISTOR

▲ REF No. PART No. PART NAME, DESCRIPTION

Q2071	2SC4617/QR/-X	TRANSISTOR
Q2401	DTC144EE	TRANSISTOR
Q2402	DTA144EE	TRANSISTOR
Q3002	PUMX1	PAIR TRANSISTOR
	or UMX1N	PAIR TRANSISTOR
	or HN1C01FU/G/-X	PAIR TRANSISTOR
Q3003	2SC4097/QR/-X	TRANSISTOR
Q3006	DTC144EE	TRANSISTOR,C,D,E,F
Q3501	HN1C01FU/G/-X	PAIR TRANSISTOR
Q3502	HN1C01FU/G/-X	PAIR TRANSISTOR
Q3505	DTC144EE	TRANSISTOR,C,D,E,F
Q3901	HN1A01FU/G/-X	PAIR TRANSISTOR
Q4201	2SC4617/QR/-X	TRANSISTOR
Q4251	RPM-22PB	PHOTO TRANSISTOR
Q4501	DTC114EE	TRANSISTOR
Q4701	PUMX1	PAIR TRANSISTOR
	or HN1C01FU/G/-X	PAIR TRANSISTOR
Q4702	2SC4617/QR/-X	TRANSISTOR
Q4703	PUMX1	PAIR TRANSISTOR
	or HN1C01FU/G/-X	PAIR TRANSISTOR
Q4704	PUMT1	PAIR TRANSISTOR
	or HN1A01FU/G/-X	PAIR TRANSISTOR
Q4705	2SC4617/QR/-X	TRANSISTOR,C,D,E,F
Q4706	2SC4617/QR/-X	TRANSISTOR,C,D,E,F
Q4707	2SC4617/QR/-X	TRANSISTOR,C,D,E,F
Q4708	2SC4617/QR/-X	TRANSISTOR,C
Q4709	2SC4617/QR/-X	TRANSISTOR,C
Q4710	2SC4617/QR/-X	TRANSISTOR,C
Q4711	PUMX1	PAIR TRANSISTOR,C,D,E,F
	or HN1C01FU/G/-X	PAIR TRANSISTOR,C,D,E,F
Q4712	PUMT1	PAIR TRANSISTOR,C,D,E,F
	or HN1A01FU/G/-X	PAIR TRANSISTOR,C,D,E,F
Q4713	PUMX1	PAIR TRANSISTOR,C,D,E,F
	or HN1C01FU/G/-X	PAIR TRANSISTOR,C,D,E,F
Q4714	PUMT1	PAIR TRANSISTOR,C,D,E,F
	or HN1A01FU/G/-X	PAIR TRANSISTOR,C,D,E,F
Q4715	PUMX1	PAIR TRANSISTOR,C,D,E,F
	or HN1C01FU/G/-X	PAIR TRANSISTOR,C,D,E,F
Q4716	DTC144EE	TRANSISTOR,C
Q4717	DTA144EE	TRANSISTOR,C
Q6101	SSM6J07FU	MOS FET
Q6106	HN1C01FU/G/-X	PAIR TRANSISTOR
Q6107	SSM3J05FU	MOS FET
Q6201	SSM6J07FU	MOS FET
Q6301	CPH3304	MOS FET
Q6306	SSM3K02F	MOS FET
Q6307	2SC4617/QR/-X	TRANSISTOR
Q6308	CPH3101	TRANSISTOR
Q6401	SSM6J07FU	MOS FET
Q6501	SSM6J07FU	MOS FET
Q6601	CPH3304	MOS FET
Q6608	DTC144EE	TRANSISTOR
Q6621	HN1C01FU/G/-X	PAIR TRANSISTOR
Q6622	2SA1577/QR/-X	TRANSISTOR
Q6701	FX802	TRANSISTOR
Q6702	2SC4097/QR/-X	TRANSISTOR
Q6801	2SA1577/QR/-X	TRANSISTOR
Q6811	2SB1121/TU/-X	TRANSISTOR
Q7003	PUMX1	PAIR TRANSISTOR
Q7011	PUMX1	PAIR TRANSISTOR
Q7013	PUMX1	PAIR TRANSISTOR

#	△ REF No.	PART No.	PART NAME, DESCRIPTION	#	△ REF No.	PART No.	PART NAME, DESCRIPTION	
	Q7015	PUMX1	PAIR TRANSISTOR	R140	NRSA63J-753X	MG RESISTOR	75kΩ,1/16W	
	Q7017	2SC4617/QR/-X	TRANSISTOR	R141	NRSA63J-334X	MG RESISTOR	330kΩ,1/16W	
	Q7018	2SA1774/QR/-X	TRANSISTOR	R142	NRSA63J-103X	MG RESISTOR	10kΩ,1/16W	
	Q7019	2SC4617/QR/-X	TRANSISTOR	R143	NRSA63J-105X	MG RESISTOR	1MΩ,1/16W	
	Q7020	2SA1774/QR/-X	TRANSISTOR	R144	NRSA63J-221X	MG RESISTOR	220Ω,1/16W	
	Q7022	DTC144EE	TRANSISTOR,A,B,C	R145	NRSA63J-222X	MG RESISTOR	2.2kΩ,1/16W	
△	D101	SB007W03Q	SB DIODE	R146	NRSA63J-474X	MG RESISTOR	470kΩ,1/16W	
	D102	UDZS7.5B	ZENER DIODE	R147	NRSA63J-472X	MG RESISTOR	4.7kΩ,1/16W	
	D105	1SS355	DIODE	R148	NRSA63J-0R0X	MG RESISTOR	0Ω,1/16W	
	D106	1SS355	DIODE	R149	NRSA63J-104X	MG RESISTOR	100kΩ,1/16W	
	D107	SB007W03Q	SB DIODE	R150	NRSA63J-222X	MG RESISTOR	2.2kΩ,1/16W	
	D501	MA8068	ZENER DIODE	R151	NRSA63J-222X	MG RESISTOR	2.2kΩ,1/16W	
	D502	MA8068	ZENER DIODE	R152	NRSA63J-474X	MG RESISTOR	470kΩ,1/16W	
	D3001	DAN222	DIODE,C,D,E,F	R153	NRSA63J-474X	MG RESISTOR	470kΩ,1/16W	
	D5201	1SS355	DIODE	R158	NRSA63J-474X	MG RESISTOR	470kΩ,1/16W	
	D6001	CRS03	SB DIODE	R159	NRSA63J-474X	MG RESISTOR	470kΩ,1/16W	
	D6101	CRS03	SB DIODE	R160	NRSA63J-474X	MG RESISTOR	470kΩ,1/16W	
	D6106	1SS357	SB DIODE	R161	NRSA63J-104X	MG RESISTOR	100kΩ,1/16W	
	D6201	CRS03	SB DIODE	R162	NRSA63J-472X	MG RESISTOR	4.7kΩ,1/16W	
	D6301	CRS03	SB DIODE	R163	NRSA63J-221X	MG RESISTOR	220Ω,1/16W	
	D6401	CRS03	SB DIODE	R164	NRSA63J-472X	MG RESISTOR	4.7kΩ,1/16W	
	D6501	CRS03	SB DIODE	R166	NRSA63J-103X	MG RESISTOR	10kΩ,1/16W	
	D6601	1SS383	SB DIODE	R167	NRSA63J-183X	MG RESISTOR	18kΩ,1/16W	
	D6616	UDZS5.1(B)	ZENER DIODE	R168	NRSA63J-562X	MG RESISTOR	5.6kΩ,1/16W	
	D7002	MA365	VARI CAP DIODE	R170	NRSA63J-333X	MG RESISTOR	33kΩ,1/16W	
	D7004	RB471E	SB DIODE	R171	NRSA63J-104X	MG RESISTOR	100kΩ,1/16W	
	R101	NRSA63J-104X	MG RESISTOR	100kΩ,1/16W	R172	NRSA63J-151X	MG RESISTOR	150Ω,1/16W
△	R104	NRSA63J-102X	MG RESISTOR	1kΩ,1/16W	R173	NRSA63J-0R0X	MG RESISTOR	0Ω,1/16W
	R105	NRSA63J-103X	MG RESISTOR	10kΩ,1/16W	R174	NRSA63J-0R0X	MG RESISTOR	0Ω,1/16W
	R106	NRSA63J-561X	MG RESISTOR	560Ω,1/16W	R175	NRSA63J-105X	MG RESISTOR	1MΩ,1/16W
	R107	NRVA63D-153X	CMF RESISTOR	15kΩ,1/16W	R176	NRSA63J-221X	MG RESISTOR	220Ω,1/16W
	R108	NRVA63D-243X	CMF RESISTOR	24kΩ,1/16W	R180	NRSA63J-331X	MG RESISTOR	330Ω,1/16W
	R109	NRVA63D-183X	CMF RESISTOR	18kΩ,1/16W	R182	NRSA63J-222X	MG RESISTOR	2.2kΩ,1/16W
	R110	NRSA63J-103X	MG RESISTOR	10kΩ,1/16W	R183	NRSA63J-222X	MG RESISTOR	2.2kΩ,1/16W
	R111	NRSA63J-273X	MG RESISTOR	27kΩ,1/16W	R184	NRSA63J-222X	MG RESISTOR	2.2kΩ,1/16W
	R112	NRSA63J-331X	MG RESISTOR	330Ω,1/16W	R188	NRSA63J-222X	MG RESISTOR	2.2kΩ,1/16W
	R113	NRSA63J-562X	MG RESISTOR	5.6kΩ,1/16W	R190	NRSA63J-331X	MG RESISTOR	330Ω,1/16W
	R114	NRSA63J-821X	MG RESISTOR	820Ω,1/16W	R191	NRSA63J-0R0X	MG RESISTOR	0Ω,1/16W
	R115	NRSA63J-101X	MG RESISTOR	100Ω,1/16W	R192	NRSA63J-105X	MG RESISTOR	1MΩ,1/16W
	R116	NRSA63J-102X	MG RESISTOR	1kΩ,1/16W	R194	NRSA63J-0R0X	MG RESISTOR,F	0Ω/16W
	R118	NRSA63J-103X	MG RESISTOR	10kΩ,1/16W	R195	NRSA63J-0R0X	MG RESISTOR	0Ω,1/16W
	R119	NRSA63J-103X	MG RESISTOR	10kΩ,1/16W	R504	NRSA63J-221X	MG RESISTOR	220Ω,1/16W
	R120	NRSA63J-273X	MG RESISTOR	27kΩ,1/16W	R505	NRSA63J-331X	MG RESISTOR	330Ω,1/16W
	R121	NRSA63J-273X	MG RESISTOR	27kΩ,1/16W	R1601	NRV142F-R33X	CMF RESISTOR	0.33Ω,1/4W
	R122	NRSA63J-393X	MG RESISTOR	39kΩ,1/16W	R1602	NRV142F-R33X	CMF RESISTOR	0.33Ω,1/4W
	R123	NRSA63J-104X	MG RESISTOR	100kΩ,1/16W	R1603	NRSA63J-154X	MG RESISTOR	150kΩ,1/16W
	R124	NRSA63J-104X	MG RESISTOR	100kΩ,1/16W	R1604	NRSA63J-102X	MG RESISTOR	1kΩ,1/16W
	R125	NRSA63J-273X	MG RESISTOR	27kΩ,1/16W	R1605	NRSA63J-102X	MG RESISTOR	1kΩ,1/16W
	R126	NRSA63J-153X	MG RESISTOR	15kΩ,1/16W	R1606	NRSA63J-102X	MG RESISTOR	1kΩ,1/16W
	R127	NRSA63J-221X	MG RESISTOR	220Ω,1/16W	R1607	NRSA63J-104X	MG RESISTOR	100kΩ,1/16W
	R128	NRSA63J-102X	MG RESISTOR	1kΩ,1/16W	R1608	NRSA63J-104X	MG RESISTOR	100kΩ,1/16W
	R129	NRSA63J-102X	MG RESISTOR	1kΩ,1/16W	R1609	NRSA63J-333X	MG RESISTOR	33kΩ,1/16W
	R130	NRSA63J-105X	MG RESISTOR	1MΩ,1/16W	R1610	NRSA63J-103X	MG RESISTOR	10kΩ,1/16W
	R131	NRSA63J-105X	MG RESISTOR	1MΩ,1/16W	R1612	NRSA63J-392X	MG RESISTOR	3.9kΩ,1/16W
	R132	NRSA63J-105X	MG RESISTOR	1MΩ,1/16W	R1613	NRSA63J-104X	MG RESISTOR	100kΩ,1/16W
	R133	NRSA63J-105X	MG RESISTOR	1MΩ,1/16W	R1614	NRSA63J-333X	MG RESISTOR	33kΩ,1/16W
	R134	NRSA63J-105X	MG RESISTOR	1MΩ,1/16W	R1615	NRSA63J-103X	MG RESISTOR	10kΩ,1/16W
	R135	NRSA63J-104X	MG RESISTOR	100kΩ,1/16W	R1617	NRSA63J-183X	MG RESISTOR	18kΩ,1/16W
	R136	NRSA63J-474X	MG RESISTOR	470kΩ,1/16W	R1618	NRSA63J-154X	MG RESISTOR	150kΩ,1/16W
	R138	NRSA63J-333X	MG RESISTOR	33kΩ,1/16W	R1619	NRSA63J-471X	MG RESISTOR	470Ω,1/16W
	R139	NRSA63J-104X	MG RESISTOR	100kΩ,1/16W	R1620	NRSA63J-684X	MG RESISTOR	680kΩ,1/16W

#	△ REF No.	PART No.	PART NAME, DESCRIPTION	#	△ REF No.	PART No.	PART NAME, DESCRIPTION
R1621		NRSA63J-102X	MG RESISTOR 1kΩ, 1/16W	R3502		NRSA63J-102X	MG RESISTOR 1kΩ, 1/16W
R1622		NRSA63J-224X	MG RESISTOR 220kΩ, 1/16W	R3504		NRSA63J-102X	MG RESISTOR 1kΩ, 1/16W
R1623		NRSA63J-223X	MG RESISTOR 22kΩ, 1/16W	R3505		NRSA63J-102X	MG RESISTOR 1kΩ, 1/16W
R1624		NRSA63J-104X	MG RESISTOR 100kΩ, 1/16W	R3506		NRSA63J-102X	MG RESISTOR 1kΩ, 1/16W
R1625		NRSA63J-104X	MG RESISTOR 100kΩ, 1/16W	R3507		NRSA63J-101X	MG RESISTOR 100Ω, 1/16W
R1626		NRSA63J-104X	MG RESISTOR 100kΩ, 1/16W	R3508		NRSA63J-153X	MG RESISTOR 15kΩ, 1/16W
R1628		NRSA63J-0R0X	MG RESISTOR 0Ω, 1/16W	R3901		NRSA63J-100X	MG RESISTOR 10Ω, 1/16W
R1629		NRSA63J-0R0X	MG RESISTOR 0Ω, 1/16W	R3902		NRSA63J-101X	MG RESISTOR 100Ω, 1/16W
R1630		NRSA63J-0R0X	MG RESISTOR 0Ω, 1/16W	R3903		NRSA63J-182X	MG RESISTOR 1.8kΩ, 1/16W
R1631		NRSA63J-122X	MG RESISTOR 1.2kΩ, 1/16W	R4001		NRSA63J-113X	MG RESISTOR 11kΩ, 1/16W
R1632		NRSA63J-153X	MG RESISTOR 15kΩ, 1/16W	R4002		NRSA63J-123X	MG RESISTOR 12kΩ, 1/16W
R1633		NRSA63J-683X	MG RESISTOR 68kΩ, 1/16W	R4003		NRSA63J-153X	MG RESISTOR 15kΩ, 1/16W
R2001		NRSA63J-104X	MG RESISTOR 100kΩ, 1/16W	R4004		NRSA63J-103X	MG RESISTOR 10kΩ, 1/16W
R2002		NRSA63J-332X	MG RESISTOR 3.3kΩ, 1/16W	R4006		NRVA63D-103X	CMF RESISTOR 10kΩ, 1/16W
R2003		NRSA63J-102X	MG RESISTOR 1kΩ, 1/16W	R4007		NRVA63D-392X	CMF RESISTOR 3.9kΩ, 1/16W
R2004		NRSA63J-681X	MG RESISTOR 680Ω, 1/16W	R4008		NRVA63D-272X	CMF RESISTOR 2.7kΩ, 1/16W
R2005		NRSA63J-272X	MG RESISTOR 2.7kΩ, 1/16W	R4009		NRVA63D-152X	CMF RESISTOR 1.5kΩ, 1/16W
R2006		NRSA63J-102X	MG RESISTOR 1kΩ, 1/16W	R4010		NRVA63D-122X	CMF RESISTOR 1.2kΩ, 1/16W
R2011		NRSA63J-101X	MG RESISTOR 100Ω, 1/16W	R4011		NRVA63D-152X	CMF RESISTOR 1.5kΩ, 1/16W
R2012		NRSA63J-101X	MG RESISTOR 100Ω, 1/16W	R4012		NRVA63D-122X	CMF RESISTOR 1.2kΩ, 1/16W
R2021		NRSA63J-103X	MG RESISTOR 10kΩ, 1/16W	R4013		NRVA63D-152X	CMF RESISTOR 1.5kΩ, 1/16W
R2022		NRSA63J-334X	MG RESISTOR 330kΩ, 1/16W	R4014		NRVA63D-122X	CMF RESISTOR 1.2kΩ, 1/16W
R2023		NRSA63J-820X	MG RESISTOR 82Ω, 1/16W	R4036		NRSA63J-0R0X	MG RESISTOR 0Ω, 1/16W
R2024		NRVA63D-183X	CMF RESISTOR 18kΩ, 1/16W	R4037		NRSA63J-102X	MG RESISTOR 1kΩ, 1/16W
R2025		NRSA63J-823X	MG RESISTOR 82kΩ, 1/16W	R4038		NRSA63J-101X	MG RESISTOR, F 100Ω, 1/16W
R2026		NRSA63J-0R0X	MG RESISTOR 0Ω, 1/16W	R4201		NRSA63J-103X	MG RESISTOR 10kΩ, 1/16W
R2027		NRSA63J-102X	MG RESISTOR 1kΩ, 1/16W	R4202		NRSA63J-563X	MG RESISTOR 56kΩ, 1/16W
R2028		NRSA63J-102X	MG RESISTOR 1kΩ, 1/16W	R4203		NRSA63J-103X	MG RESISTOR 10kΩ, 1/16W
R2029		NRSA63J-0R0X	MG RESISTOR 0Ω, 1/16W	R4204		NRSA63J-331X	MG RESISTOR 330Ω, 1/16W
R2030		NRSA63J-104X	MG RESISTOR 100kΩ, 1/16W	R4205		NRSA63J-105X	MG RESISTOR 1MΩ, 1/16W
R2031		NRSA63J-332X	MG RESISTOR 3.3kΩ, 1/16W	R4206		NRSA63J-103X	MG RESISTOR 10kΩ, 1/16W
R2032		NRSA63J-270X	MG RESISTOR 27Ω, 1/16W	R4207		NRSA63J-104X	MG RESISTOR 100kΩ, 1/16W
R2051		NRSA63J-102X	MG RESISTOR 1kΩ, 1/16W	R4208		NRSA63J-472X	MG RESISTOR 4.7kΩ, 1/16W
R2071		NRSA63J-473X	MG RESISTOR 47kΩ, 1/16W	R4209		NRSA63J-104X	MG RESISTOR 100kΩ, 1/16W
R2072		NRSA63J-562X	MG RESISTOR 5.6kΩ, 1/16W	R4210		NRSA63J-105X	MG RESISTOR 1MΩ, 1/16W
R2401		NRSA63J-683X	MG RESISTOR 68kΩ, 1/16W	R4211		NRSA63J-243X	MG RESISTOR 24kΩ, 1/16W
R2402		NRSA63J-122X	MG RESISTOR 1.2kΩ, 1/16W	R4214		NRSA63J-472X	MG RESISTOR 4.7kΩ, 1/16W
R2403		NRSA63J-2R2X	MG RESISTOR 2.2Ω, 1/16W	R4215		NRSA63J-683X	MG RESISTOR 68kΩ, 1/16W
R2404		NRSA63J-2R2X	MG RESISTOR 2.2Ω, 1/16W	R4216		NRSA63J-103X	MG RESISTOR 10kΩ, 1/16W
R2405		NRSA63J-473X	MG RESISTOR 47kΩ, 1/16W	R4217		NRSA63J-102X	MG RESISTOR 1kΩ, 1/16W
R2406		NRSA63J-473X	MG RESISTOR 47kΩ, 1/16W	R4218		NRSA63J-102X	MG RESISTOR 1kΩ, 1/16W
R3001		NRSA63J-105X	MG RESISTOR 1MΩ, 1/16W	R4219		NRSA63J-104X	MG RESISTOR 100kΩ, 1/16W
R3002		NRVA63D-471X	CMF RESISTOR 470Ω, 1/16W	R4220		NRSA63J-152X	MG RESISTOR 1.5kΩ, 1/16W
R3004		NRVA63D-333X	CMF RESISTOR 33kΩ, 1/16W	R4221		NRSA63J-334X	MG RESISTOR 330kΩ, 1/16W
R3006		NRVA63D-561X	CMF RESISTOR 560Ω, 1/16W	R4222		NRSA63J-154X	MG RESISTOR 150kΩ, 1/16W
R3007		NRVA63D-183X	CMF RESISTOR 18kΩ, 1/16W	R4223		NRSA63J-333X	MG RESISTOR 33kΩ, 1/16W
R3008		NRSA63J-393X	MG RESISTOR 39kΩ, 1/16W	R4224		NRSA63J-223X	MG RESISTOR 22kΩ, 1/16W
R3009		NRSA63J-272X	MG RESISTOR 2.7kΩ, 1/16W	R4251		NRSA63J-182X	MG RESISTOR 1.8kΩ, 1/16W
R3010		NRSA63J-332X	MG RESISTOR 3.3kΩ, 1/16W	R4252		NRSA63J-103X	MG RESISTOR 10kΩ, 1/16W
R3014		NRSA63J-681X	MG RESISTOR 680Ω, 1/16W	R4253		NRSA63J-103X	MG RESISTOR 10kΩ, 1/16W
R3015		NRSA63J-332X	MG RESISTOR 3.3kΩ, 1/16W	R4254		NRSA63J-684X	MG RESISTOR 680kΩ, 1/16W
R3016		NRSA63J-332X	MG RESISTOR 3.3kΩ, 1/16W	R4255		NRSA63J-222X	MG RESISTOR 2.2kΩ, 1/16W
R3018		NRSA63J-271X	MG RESISTOR 270Ω, 1/16W	R4256		NRSA63J-824X	MG RESISTOR 820kΩ, 1/16W
R3023		NRSA63J-331X	MG RESISTOR 330Ω, 1/16W	R4257		NRSA63J-822X	MG RESISTOR 8.2kΩ, 1/16W
R3027		NRSA63J-103X	MG RESISTOR, C, D, E, F 10kΩ, 1/16W	R4258		NRSA63J-104X	MG RESISTOR 100kΩ, 1/16W
R3028		NRVA63D-472X	CMF RESISTOR 4.7kΩ, 1/16W	R4259		NRSA63J-683X	MG RESISTOR 68kΩ, 1/16W
R3029		NRSA63J-0R0X	MG RESISTOR 0Ω, 1/16W	R4262		NRSA63J-302X	MG RESISTOR 3kΩ, 1/16W
R3030		NRSA63J-561X	MG RESISTOR 560Ω, 1/16W	△ R4501		NRSA63J-6R8X	MG RESISTOR 6.8Ω, 1/16W
R3034		NRSA63J-220X	MG RESISTOR 22Ω, 1/16W	△ R4502		NRSA63J-6R8X	MG RESISTOR 6.8Ω, 1/16W
R3038		NRSA63J-392X	MG RESISTOR 3.9kΩ, 1/16W	△ R4503		NRSA63J-6R8X	MG RESISTOR 6.8Ω, 1/16W
R3501		NRSA63J-221X	MG RESISTOR 220Ω, 1/16W	△ R4504		NRSA63J-6R8X	MG RESISTOR 6.8Ω, 1/16W

#	△ REF No.	PART No.	PART NAME, DESCRIPTION
R4505		NRSA63J-271X	MG RESISTOR 270Ω,1/16W
R4507		NRSA63J-103X	MG RESISTOR 10kΩ,1/16W
R4508		NRSA63J-103X	MG RESISTOR 10kΩ,1/16W
R4514		NRSA63J-223X	MG RESISTOR 22kΩ,1/16W
R4515		NRSA63J-182X	MG RESISTOR 1.8kΩ,1/16W
R4701		NRSA63J-0R0X	MG RESISTOR,A,B 0Ω,1/16W
R4702		NRSA63J-101X	MG RESISTOR,C,D,E,F 100Ω,1/16W
		NRSA63J-750X	MG RESISTOR,A,B 75Ω,1/16W
R4703		NRVA63D-561X	CMF RESISTOR 560Ω,1/16W
R4704		NRVA63D-272X	CMF RESISTOR 2.7kΩ,1/16W
R4705		NRVA63D-472X	CMF RESISTOR 4.7kΩ,1/16W
R4706		NRSA63J-681X	MG RESISTOR 680Ω,1/16W
R4707		NRSA63J-122X	MG RESISTOR 1.2kΩ,1/16W
R4708		NRSA63J-104X	MG RESISTOR 100kΩ,1/16W
R4709		NRSA63J-332X	MG RESISTOR 3.3kΩ,1/16W
R4710		NRSA63J-332X	MG RESISTOR 3.3kΩ,1/16W
R4711		NRSA63J-151X	MG RESISTOR,C,D,E,F 150Ω,1/16W
R4712		NRVA63D-561X	CMF RESISTOR,C,D,E,F 560Ω,1/16W
R4713		NRSA63J-681X	MG RESISTOR,C,D,E,F 680Ω,1/16W
R4714		NRSA63J-122X	MG RESISTOR,C,D,E,F 1.2kΩ,1/16W
R4715		NRSA63J-0R0X	MG RESISTOR,D,E,F 0Ω,1/16W
R4716		NRVA63D-561X	CMF RESISTOR,C,D,E,F 560Ω,1/16W
R4717		NRVA63D-222X	CMF RESISTOR,C,D,E,F 2.2kΩ,1/16W
R4718		NRSA63J-104X	MG RESISTOR,C,D,E,F 100kΩ,1/16W
R4719		NRSA63J-222X	MG RESISTOR,C,D,E,F 2.2kΩ,1/16W
R4720		NRSA63J-0R0X	MG RESISTOR,A,B 0Ω,1/16W
R4721		NRVA63D-750X	CMF RESISTOR,C,D,E,F 75Ω,1/16W
R4722		NRVA63D-680X	CMF RESISTOR,C,D,E,F 68Ω,1/16W
		NRVA63D-750X	MG RESISTOR,A,B 75Ω,1/16W
R4723		NRVA63D-680X	CMF RESISTOR,C,D,E,F 68Ω,1/16W
R4724		NRSA63J-391X	MG RESISTOR,C 390Ω,1/16W
R4725		NRSA63J-822X	MG RESISTOR,C 8.2kΩ,1/16W
R4726		NRSA63J-121X	MG RESISTOR,C 120Ω,1/16W
R4727		NRSA63J-102X	MG RESISTOR,C 1kΩ,1/16W
R4728		NRSA63J-471X	MG RESISTOR,C 470Ω,1/16W
R4729		NRSA63J-153X	MG RESISTOR,C 15kΩ,1/16W
R4730		NRSA63J-103X	MG RESISTOR,C 10kΩ,1/16W
R4731		NRSA63J-102X	MG RESISTOR,C 1kΩ,1/16W
R4732		NRSA63J-222X	MG RESISTOR,C 2.2kΩ,1/16W
R4733		NRSA63J-102X	MG RESISTOR,C 1kΩ,1/16W
R4734		NRSA63J-102X	MG RESISTOR,C 1kΩ,1/16W
R4735		NRSA63J-332X	MG RESISTOR,C,D,E,F 3.3kΩ,1/16W
R4736		NRSA63J-332X	MG RESISTOR,C,D,E,F 3.3kΩ,1/16W
R4737		NRSA63J-104X	MG RESISTOR,C,D,E,F 100kΩ,1/16W
R4738		NRSA63J-332X	MG RESISTOR,C,D,E,F 3.3kΩ,1/16W
R4739		NRSA63J-332X	MG RESISTOR,C,D,E,F 3.3kΩ,1/16W
R4741		NRVA63D-152X	CMF RESISTOR,C,D,E,F 1.5kΩ,1/16W
R4743		NRVA63D-153X	CMF RESISTOR,C,D,E,F 15kΩ,1/16W
R4744		NRVA63D-222X	CMF RESISTOR,C,D,E,F 2.2kΩ,1/16W
R4745		NRSA63J-471X	MG RESISTOR,C,D,E,F 470Ω,1/16W
R4746		NRVA63D-222X	CMF RESISTOR,C,D,E,F 2.2kΩ,1/16W
R4747		NRVA63D-471X	CMF RESISTOR,C,D,E,F 470Ω,1/16W
R4748		NRVA63D-333X	CMF RESISTOR,A,B 33kΩ,1/16W
R5201		NRSA63J-243X	MG RESISTOR 24kΩ,1/16W
R5202		NRSA63J-220X	MG RESISTOR 22Ω,1/16W
R5203		NRSA63J-0R0X	MG RESISTOR 0Ω,1/16W
R5204		NRSA63J-0R0X	MG RESISTOR,A,B 0Ω,1/16W
R5212		NRSA63J-101X	MG RESISTOR 100Ω,1/16W
R5213		NRSA63J-101X	MG RESISTOR 100Ω,1/16W
R5214		NRSA63J-101X	MG RESISTOR 100Ω,1/16W
R5215		NRSA63J-104X	MG RESISTOR 100kΩ,1/16W

#	△ REF No.	PART No.	PART NAME, DESCRIPTION
R5216		NRSA63J-100X	MG RESISTOR 10Ω,1/16W
R5217		NRSA63J-104X	MG RESISTOR 100kΩ,1/16W
R5218		NRSA63J-0R0X	MG RESISTOR 0Ω,1/16W
R5220		NRSA63J-0R0X	MG RESISTOR 0Ω,1/16W
R6001		NRSA63J-104X	MG RESISTOR 100kΩ,1/16W
R6002		NRSA63J-333X	MG RESISTOR 33kΩ,1/16W
R6003		NRVA63D-912X	CMF RESISTOR 9.1kΩ,1/16W
R6004		NRVA63D-471X	CMF RESISTOR 470Ω,1/16W
R6005		NRVA63D-183X	CMF RESISTOR 18kΩ,1/16W
R6006		NRSA63J-472X	MG RESISTOR 4.7kΩ,1/16W
R6008		NRVA63D-183X	CMF RESISTOR 18kΩ,1/16W
R6009		NRSA63J-224X	MG RESISTOR 220kΩ,1/16W
R6010		NRSA63J-473X	MG RESISTOR 47kΩ,1/16W
R6011		NRSA63J-473X	MG RESISTOR 47kΩ,1/16W
R6012		NRSA63J-103X	MG RESISTOR 10kΩ,1/16W
R6015		NRSA63J-104X	MG RESISTOR 100kΩ,1/16W
R6016		NRSA63J-104X	MG RESISTOR 100kΩ,1/16W
R6019		NRSA63J-222X	MG RESISTOR 2.2kΩ,1/16W
R6103		NRVA63D-223X	CMF RESISTOR 22kΩ,1/16W
R6104		NRVA63D-103X	CMF RESISTOR 10kΩ,1/16W
R6106		NRSA63J-333X	MG RESISTOR 33kΩ,1/16W
R6107		NRSA63J-222X	MG RESISTOR 2.2kΩ,1/16W
R6108		NRVA63D-153X	CMF RESISTOR 15kΩ,1/16W
R6109		NRVA63D-103X	CMF RESISTOR 10kΩ,1/16W
R6110		NRSA63J-0R0X	MG RESISTOR 0Ω,1/16W
R6203		NRVA63D-103X	CMF RESISTOR 10kΩ,1/16W
R6204		NRVA63D-103X	CMF RESISTOR 10kΩ,1/16W
R6303		NRVA63D-183X	CMF RESISTOR 18kΩ,1/16W
R6304		NRVA63D-472X	CMF RESISTOR 4.7kΩ,1/16W
R6306		NRS12BK-R47W	MG RESISTOR 0.47Ω,1/2W
R6307		NRSA63J-104X	MG RESISTOR 100kΩ,1/16W
R6309		NRSA63J-103X	MG RESISTOR 10kΩ,1/16W
R6310		NRSA63J-152X	MG RESISTOR 1.5kΩ,1/16W
R6311		NRSA63J-473X	MG RESISTOR 47kΩ,1/16W
R6403		NRSA63J-473X	MG RESISTOR 47kΩ,1/16W
R6404		NRSA63J-302X	MG RESISTOR 3kΩ,1/16W
R6406		NRSA63J-183X	MG RESISTOR 18kΩ,1/16W
R6407		NRSA63J-823X	MG RESISTOR 82kΩ,1/16W
R6503		NRSA63J-243X	MG RESISTOR 24kΩ,1/16W
R6504		NRSA63J-332X	MG RESISTOR 3.3kΩ,1/16W
R6506		NRSA63J-223X	MG RESISTOR 22kΩ,1/16W
R6507		NRSA63J-823X	MG RESISTOR 82kΩ,1/16W
R6603		NRVA63D-683X	CMF RESISTOR 68kΩ,1/16W
R6604		NRVA63D-392X	CMF RESISTOR 3.9kΩ,1/16W
R6605		NRSA63J-274X	MG RESISTOR 270kΩ,1/16W
R6606		NRSA63J-272X	MG RESISTOR 2.7kΩ,1/16W
R6612		NRSA63J-823X	MG RESISTOR 82kΩ,1/16W
R6613		NRSA63J-104X	MG RESISTOR 100kΩ,1/16W
R6614		NRSA63J-472X	MG RESISTOR 4.7kΩ,1/16W
R6616		NRSA63J-222X	MG RESISTOR 2.2kΩ,1/16W
R6622		NRVA63D-104X	CMF RESISTOR 100kΩ,1/16W
R6623		NRVA63D-473X	CMF RESISTOR 47kΩ,1/16W
R6624		NRSA63J-273X	MG RESISTOR 27kΩ,1/16W
R6625		NRSA63J-822X	MG RESISTOR 8.2kΩ,1/16W
R6626		NRVA63D-563X	CMF RESISTOR 56kΩ,1/16W
R6627		NRVA63D-363X	CMF RESISTOR 36kΩ,1/16W
R6701		NRSA63J-680X	MG RESISTOR 68Ω,1/16W
R6702		NRSA63J-221X	MG RESISTOR 220Ω,1/16W
R6704		NRVA63D-472X	CMF RESISTOR 4.7kΩ,1/16W
R6706		NRZ0058-R20X	MG RESISTOR 0.2Ω,1/2W
R6707		NRS016J-121X	MG RESISTOR 120Ω,1W

#	△ REF No.	PART No.	PART NAME, DESCRIPTION	#	△ REF No.	PART No.	PART NAME, DESCRIPTION
R6708		NRS016J-121X	MG RESISTOR 120Ω,1W	R7132		NRVA63D-103X	CMF RESISTOR 10kΩ,1/16W
R6709		NRS016J-121X	MG RESISTOR 120Ω,1W	R7139		NRVA63D-911X	CMF RESISTOR 910Ω,1/16W
R6710		NRVA63D-823X	CMF RESISTOR 82kΩ,1/16W	R7142		NRSA63J-0R0X	MG RESISTOR,D,E,F 0Ω,1/16W
R6711		NRVA63D-333X	CMF RESISTOR 33kΩ,1/16W	R7143		NRSA63J-0R0X	MG RESISTOR,A,B,C 0Ω,1/16W
R6712		NRSA63J-222X	MG RESISTOR 2.2kΩ,1/16W	RA101		NRZ0038-222X	NETWORK RESISTOR 2.2kΩ
R6713		NRSA63J-562X	MG RESISTOR 5.6kΩ,1/16W	RA102		NRZ0038-222X	NETWORK RESISTOR 2.2kΩ
R6801		NRSA63J-102X	MG RESISTOR 1kΩ,1/16W	RA103		NRZ0038-222X	NETWORK RESISTOR 2.2kΩ
R6803		NRVA63D-223X	CMF RESISTOR 22kΩ,1/16W	RA104		NRZ0038-222X	NETWORK RESISTOR 2.2kΩ
R6804		NRVA63D-103X	CMF RESISTOR 10kΩ,1/16W	RA105		NRZ0038-473X	NETWORK RESISTOR 47kΩ
R6810		NRSA63J-0R0X	MG RESISTOR 0Ω,1/16W	RA106		NRZ0037-331X	NETWORK RESISTOR 330Ω
R6811		NRSA63J-102X	MG RESISTOR 1kΩ,1/16W	RA107		NRZ0034-102W	NETWORK RESISTOR 1kΩ
R6813		NRVA63D-104X	CMF RESISTOR 100kΩ,1/16W	RA108		NRZ0034-102W	NETWORK RESISTOR 1kΩ
R6814		NRVA63D-683X	CMF RESISTOR 68kΩ,1/16W	RA109		NRZ0038-474X	NETWORK RESISTOR 470kΩ
R6820		NRSA63J-102X	MG RESISTOR 1kΩ,1/16W	RA4001		NRZ0034-100W	NETWORK RESISTOR,F 10Ω
R7010		NRSA63J-0R0X	MG RESISTOR 0Ω,1/16W	RA4002		NRZ0034-100W	NETWORK RESISTOR,F 10Ω
R7021		NRSA63J-0R0X	MG RESISTOR,D,E,F 0Ω,1/16W	RA4003		NRZ0034-100W	NETWORK RESISTOR,F 10Ω
R7029		NRSA63J-0R0X	MG RESISTOR,D,E,F 0Ω,1/16W	C102		NCF31EZ-104X	CAPACITOR 0.1μF,25V
R7031		NRSA63J-474X	MG RESISTOR 470kΩ,1/16W	C103		NBE41AM-106X	T CAPACITOR 10μF,10V
R7032		NRSA63J-223X	MG RESISTOR 22kΩ,1/16W	C104		NCB31EK-103X	CAPACITOR 0.01μF,25V
R7033		NRSA63J-104X	MG RESISTOR 100kΩ,1/16W	C105		NCB31CK-104X	CAPACITOR 0.1μF,16V
R7035		NRSA63J-103X	MG RESISTOR 10kΩ,1/16W	C106		NCF31EZ-104X	CAPACITOR 0.1μF,25V
R7040		NRVA63D-333X	CMF RESISTOR 33kΩ,1/16W	C107		NCB31EK-103X	CAPACITOR 0.01μF,25V
R7042		NRVA63D-123X	CMF RESISTOR 12kΩ,1/16W	C108		NBE21AM-225X	T CAPACITOR 2.2μF,10V
R7043		NRVA63D-123X	CMF RESISTOR 12kΩ,1/16W	C109		NBE41AM-106X	T CAPACITOR 10μF,10V
R7044		NRVA63D-432X	CMF RESISTOR,D,E,F 4.3kΩ,1/16W	C110		NDC31HJ-101X	CAPACITOR 100pF,50V
		NRVA63D-752X	CMF RESISTOR,A,B,C 7.5kΩ,1/16W	C111		NEA70JM-226X	E CAPACITOR 22μF,6.3V
R7045		NRVA63D-103X	CMF RESISTOR 10kΩ,1/16W	C112		NEA70JM-226X	E CAPACITOR 22μF,6.3V
R7046		NRSA63J-103X	MG RESISTOR,A,B,C 10kΩ,1/16W	C113		NCB31EK-103X	CAPACITOR 0.01μF,25V
R7049		NRSA63J-680X	MG RESISTOR 68Ω,1/16W	C114		NCB31EK-103X	CAPACITOR 0.01μF,25V
R7050		NRSA63J-680X	MG RESISTOR 68Ω,1/16W	C115		NCF31EZ-104X	CAPACITOR 0.1μF,25V
R7051		NRSA63J-680X	MG RESISTOR 68Ω,1/16W	C116		NCB31EK-103X	CAPACITOR 0.01μF,25V
R7057		NRSA63J-0R0X	MG RESISTOR 0Ω,1/16W	C118		NCF31EZ-104X	CAPACITOR 0.1μF,25V
R7067		NRSA63J-223X	MG RESISTOR,A,B,C 22kΩ,1/16W	C119		NCB31EK-103X	CAPACITOR 0.01μF,25V
		NRSA63J-682X	MG RESISTOR,D,E,F 6.8kΩ,1/16W	C120		NCB31EK-103X	CAPACITOR 0.01μF,25V
R7068		NRSA63J-223X	MG RESISTOR 22kΩ,1/16W	C121		NCF31EZ-104X	CAPACITOR 0.1μF,25V
R7069		NRSA63J-223X	MG RESISTOR 22kΩ,1/16W	C122		NCF31EZ-104X	CAPACITOR 0.1μF,25V
R7070		NRSA63J-223X	MG RESISTOR 22kΩ,1/16W	C123		NDC31HJ-100X	CAPACITOR 10pF,50V
R7071		NRSA63J-223X	MG RESISTOR 22kΩ,1/16W	C124		NDC31HJ-100X	CAPACITOR 10pF,50V
R7072		NRSA02J-122X	MG RESISTOR,D,E,F 1.2kΩ,1/10W	C125		NCB31EK-103X	CAPACITOR 0.01μF,25V
		NRSA02J-182X	MG RESISTOR,A,B,C 1.8kΩ,1/10W	C126		NDC31HJ-120X	CAPACITOR 12pF,50V
R7073		NRSA02J-331X	MG RESISTOR,A,B,C 330Ω,1/10W	C127		NCB31CK-333X	CAPACITOR 0.033μF,16V
		NRSA02J-821X	MG RESISTOR,D,E,F 10kΩ,1/16W	C128		NCB21CK-474X	CAPACITOR 0.47μF,16V
R7077		NRVA63D-682X	CMF RESISTOR 6.8kΩ,1/16W	C129		NCB31CK-333X	CAPACITOR 0.033μF,16V
R7083		NRSA63J-105X	MG RESISTOR 1MΩ,1/16W	C131		NCF31EZ-104X	CAPACITOR 0.1μF,25V
R7086		NRVA63D-123X	CMF RESISTOR 12kΩ,1/16W	C132		NCF31EZ-104X	CAPACITOR 0.1μF,25V
R7091		NRVA63D-123X	CMF RESISTOR 12kΩ,1/16W	C133		NCF31EZ-104X	CAPACITOR 0.1μF,25V
R7093		NRVA63D-223X	CMF RESISTOR 22kΩ,1/16W	C134		NCF31EZ-104X	CAPACITOR 0.1μF,25V
R7096		NRVA63D-123X	CMF RESISTOR 12kΩ,1/16W	C1201		NCB31HK-102X	CAPACITOR 0.001μF,50V
R7110		NRSA63J-105X	MG RESISTOR 1MΩ,1/16W	C1202		NBE20JM-106X	T CAPACITOR 10μF,6.3V
R7112		NRVA63D-332X	CMF RESISTOR 3.3kΩ,1/16W	C1205		NCB31EK-153X	CAPACITOR 0.015μF,25V
R7114		NRVA63D-223X	CMF RESISTOR 22kΩ,1/16W	C1206		NBE20JM-106X	T CAPACITOR 10μF,6.3V
R7116		NRVA63D-332X	CMF RESISTOR 3.3kΩ,1/16W	C1601		NCB31EK-103X	CAPACITOR 0.01μF,25V
R7118		NRVA63D-223X	CMF RESISTOR 22kΩ,1/16W	C1602		NCB21CK-224X	CAPACITOR 0.22μF,16V
R7120		NRVA63D-332X	CMF RESISTOR 3.3kΩ,1/16W	C1603		NCB31CK-223X	CAPACITOR 0.022μF,16V
R7122		NRVA63D-223X	CMF RESISTOR 22kΩ,1/16W	C1604		NCB31CK-223X	CAPACITOR 0.022μF,16V
R7124		NRVA63D-103X	CMF RESISTOR 10kΩ,1/16W	C1605		NCB31CK-223X	CAPACITOR 0.022μF,16V
R7127		NRVA63D-103X	CMF RESISTOR 10kΩ,1/16W	C1606		NCB31CK-104X	CAPACITOR 0.1μF,16V
R7128		NRVA63D-103X	CMF RESISTOR 10kΩ,1/16W	C1607		NCB31CK-104X	CAPACITOR 0.1μF,16V
R7129		NRVA63D-103X	CMF RESISTOR 10kΩ,1/16W	C1608		NCB31CK-683X	CAPACITOR 0.068μF,16V
R7130		NRVA63D-103X	CMF RESISTOR 10kΩ,1/16W	C1609		NCB31CK-104X	CAPACITOR 0.1μF,16V
R7131		NRVA63D-103X	CMF RESISTOR 10kΩ,1/16W	C1610		NCB31CK-104X	CAPACITOR 0.1μF,16V

#	△ REF No.	PART No.	PART NAME, DESCRIPTION		#	△ REF No.	PART No.	PART NAME, DESCRIPTION	
C1611		NCB31CK-104X	CAPACITOR	0.1μF,16V	C3506		NCB31EK-103X	CAPACITOR	0.01μF,25V
C1612		NDC31HJ-331X	CAPACITOR	330pF,50V	C3507		NCB31EK-103X	CAPACITOR	0.01μF,25V
C1613		NCB21CK-334X	CAPACITOR	0.33μF,16V	C3508		NCB31EK-103X	CAPACITOR	0.01μF,25V
C1614		NBE41AM-226X	T CAPACITOR	22μF,10V	C3509		NDC31HJ-221X	CAPACITOR	220pF,50V
C1615		NCB31HK-681X	CAPACITOR	680pF,50V	C3510		NCB31CK-104X	CAPACITOR	0.1μF,16V
C1616		NCB21CK-474X	CAPACITOR	0.47μF,16V	C3512		NCB10JK-106X	CAPACITOR	10μF,6.3V
C1617		NCB31HK-152X	CAPACITOR	0.0015μF,50V	C3513		NCB31EK-223X	CAPACITOR	0.022μF,25V
C1618		NBE21AM-106X	T CAPACITOR	10μF,10V	C3514		NCB21CK-105X	CAPACITOR	1μF,16V
C1619		NCB31CK-223X	CAPACITOR	0.022μF,16V	C3515		NCB31EK-103X	CAPACITOR	0.01μF,25V
C1620		NCB31HK-472X	CAPACITOR	0.0047μF,50V	C3516		NDC31HJ-100X	CAPACITOR	10pF,50V
C1621		NBP41CM-106X	T CAPACITOR	10μF,16V	C3902		NCB31EK-103X	CAPACITOR	0.01μF,25V
C2001		NBE20JM-106X	T CAPACITOR	10μF,6.3V	C3903		NDC31HJ-3R0X	CAPACITOR	3pF,50V
C2002		NFV41HJ-183X	MPPS CAPACITOR	0.018μF,50V	C4006		NCF31EZ-104X	CAPACITOR	0.1μF,25V
C2003		NDC31HJ-331X	CAPACITOR	330pF,50V	C4008		NCF31EZ-104X	CAPACITOR	0.1μF,25V
C2004		NBE20JM-226X	T CAPACITOR	22μF,6.3V	C4009		NCF31EZ-104X	CAPACITOR	0.1μF,25V
C2005		NCB21CK-105X	CAPACITOR	1μF,16V	C4010		NCF31EZ-104X	CAPACITOR	0.1μF,25V
C2021		NCB31EK-103X	CAPACITOR	0.01μF,25V	C4012		NCF31EZ-104X	CAPACITOR	0.1μF,25V
C2022		NBE20JM-156X	T CAPACITOR	15μF,6.3V	C4014		NCF31EZ-104X	CAPACITOR	0.1μF,25V
C2023		NBP21CM-105X	T CAPACITOR	1μF,16V	C4017		NCF31EZ-104X	CAPACITOR	0.1μF,25V
C2024		NCB31HK-102X	CAPACITOR	0.001μF,50V	C4019		NCF31EZ-104X	CAPACITOR	0.1μF,25V
C2025		NCB30JK-105X	CAPACITOR	1μF,6.3V	C4022		NCF31EZ-104X	CAPACITOR	0.1μF,25V
C2026		NCB31HK-222X	CAPACITOR	0.0022μF,50V	C4024		NCF31EZ-104X	CAPACITOR	0.1μF,25V
C2027		NCB30JK-474X	CAPACITOR	0.47μF,6.3V	C4028		NCF31EZ-104X	CAPACITOR	0.1μF,25V
C2028		NCB30JK-105X	CAPACITOR	1μF,6.3V	C4029		NCF31EZ-104X	CAPACITOR	0.1μF,25V
C2029		NCB30JK-105X	CAPACITOR	1μF,6.3V	C4030		NCF31EZ-104X	CAPACITOR	0.1μF,25V
C2031		NCB31CK-104X	CAPACITOR	0.1μF,16V	C4036		NCF31EZ-104X	CAPACITOR	0.1μF,25V
C2032		NCB31HK-472X	CAPACITOR	0.0047μF,50V	C4040		NCB21CK-105X	CAPACITOR	1μF,16V
C2033		NBE20JM-475X	T CAPACITOR	4.7μF,6.3V	C4044		NCB21CK-105X	CAPACITOR	1μF,16V
C2034		NCB31CK-104X	CAPACITOR	0.1μF,16V	C4048		NCB10JK-106X	CAPACITOR	10μF,6.3V
C2035		NBE20JM-226X	T CAPACITOR	22μF,6.3V	C4049		NDC31HJ-100X	CAPACITOR	10pF,50V
C2036		NBE20JM-106X	T CAPACITOR	10μF,6.3V	C4051		NDC31HJ-221X	CAPACITOR	220pF,50V
C2037		NBE20JM-226X	T CAPACITOR	22μF,6.3V	C4201		NEA71HM-225X	E CAPACITOR	2.2μF,50V
C2038		NCB30JK-474X	CAPACITOR	0.47μF,6.3V	C4202		NCF31EZ-104X	CAPACITOR	0.1μF,25V
C2051		NCB31EK-103X	CAPACITOR	0.01μF,25V	C4203		NCB31CK-104X	CAPACITOR	0.1μF,16V
C2071		NBE20JM-106X	T CAPACITOR	10μF,6.3V	C4205		NCB31EK-103X	CAPACITOR	0.01μF,25V
C2072		NCB31HK-222X	CAPACITOR	0.0022μF,50V	C4206		NCB31CK-104X	CAPACITOR	0.1μF,16V
C2401		NEA70GM-476X	E CAPACITOR	47μF,4.0V	C4207		NCB31EK-103X	CAPACITOR	0.01μF,25V
C2402		NBE20JM-106X	T CAPACITOR	10μF,6.3V	C4208		NCB31CK-104X	CAPACITOR	0.1μF,16V
C2403		NCB31EK-103X	CAPACITOR	0.01μF,25V	C4209		NCF21CZ-105X	CAPACITOR	1μF,16V
C2404		NCF31CZ-224X	CAPACITOR	0.22μF,16V	C4210		NCF21CZ-105X	CAPACITOR	1μF,16V
C2405		NCB31CK-104X	CAPACITOR	0.1μF,16V	C4251		NEA71HM-335X	E CAPACITOR	3.3μF,50V
C2406		NCF31EZ-104X	CAPACITOR	0.1μF,25V	C4252		NCB31CK-104X	CAPACITOR	0.1μF,16V
C3002		NCB21CK-105X	CAPACITOR	1μF,16V	C4253		NCB31EK-153X	CAPACITOR	0.015μF,25V
C3003		NCB21CK-105X	CAPACITOR	1μF,16V	C4254		NCB31EK-153X	CAPACITOR	0.015μF,25V
C3004		NCF31EZ-104X	CAPACITOR	0.1μF,25V	C4256		NEA71CM-106X	E CAPACITOR	10μF,16V
C3005		NCF31EZ-104X	CAPACITOR	0.1μF,25V	C4503		NEA70JM-107X	E CAPACITOR	100μF,6.3V
C3006		NDC31HG-100X	CAPACITOR	10pF,50V	C4504		NCF31EZ-104X	CAPACITOR	0.1μF,25V
C3007		NDC31HG-100X	CAPACITOR	10pF,50V	C4505		NDC31HJ-330X	CAPACITOR	33pF,50V
C3009		NCF31EZ-104X	CAPACITOR	0.1μF,25V	C4506		NCB31HK-102X	CAPACITOR	0.001μF,50V
C3011		NCF31EZ-104X	CAPACITOR	0.1μF,25V	C4507		NCB31HK-102X	CAPACITOR	0.001μF,50V
C3012		NCF31EZ-104X	CAPACITOR	0.1μF,25V	C4508		NCB31HK-102X	CAPACITOR	0.001μF,50V
C3013		NCF31EZ-104X	CAPACITOR	0.1μF,25V	C4509		NCB31HK-102X	CAPACITOR	0.001μF,50V
C3014		NCF31EZ-104X	CAPACITOR	0.1μF,25V	C4510		NCB31CK-104X	CAPACITOR	0.1μF,16V
C3015		NCF31EZ-104X	CAPACITOR	0.1μF,25V	C4511		NCF31EZ-104X	CAPACITOR	0.1μF,25V
C3017		NCF31EZ-104X	CAPACITOR	0.1μF,25V	C4701		NBE20JM-106X	T CAPACITOR	10μF,6.3V
C3019		NCB31EK-103X	CAPACITOR	0.01μF,25V	C4702		NCF31EZ-104X	CAPACITOR	0.1μF,25V
C3020		NCB31EK-103X	CAPACITOR	0.01μF,25V	C4703		NBE20JM-106X	T CAPACITOR	10μF,6.3V
C3027		NCB31EK-103X	CAPACITOR	0.01μF,25V	C4704		NCB21CK-105X	CAPACITOR	1μF,16V
C3028		NCB31EK-103X	CAPACITOR	0.01μF,25V	C4705		NDC31HJ-820X	CAPACITOR	82pF,50V
C3033		NCB31CK-104X	CAPACITOR,C,D,E,F	0.1μF,16V	C4706		NDC31HJ-150X	CAPACITOR	15pF,50V
C3037		NDC31HJ-100X	CAPACITOR	10pF,50V	C4707		NCB21CK-105X	CAPACITOR	1μF,16V

#	△ REF No.	PART No.	PART NAME, DESCRIPTION		#	△ REF No.	PART No.	PART NAME, DESCRIPTION	
C4708		NDC31HJ-820X	CAPACITOR,C,D,E,F	82pF,50V	C6210		NCB31EK-103X	CAPACITOR	0.01µF,25V
C4709		NDC31HJ-150X	CAPACITOR,C,D,E,F	15pF,50V	C6301		NCB11CK-225X	CAPACITOR	2.2µF,16V
C4710		NCB31EK-103X	CAPACITOR,C,D,E,F	0.01µF,25V	C6302		NCB10JK-106X	CAPACITOR	10µF,6.3V
C4711		NCB21CK-105X	CAPACITOR,C,D,E,F	1µF,16V	C6303		NEA70JM-226X	E CAPACITOR	22µF,6.3V
C4712		NCB31EK-103X	CAPACITOR,C	0.01µF,25V	C6305		NCB31HK-561X	CAPACITOR	560pF,50V
C4713		NCB21CK-105X	CAPACITOR,C	1µF,16V	C6306		NCB21CK-105X	CAPACITOR	1µF,16V
C4714		NCB31EK-103X	CAPACITOR,C	0.01µF,25V	C6307		NEA71CM-106X	E CAPACITOR	10µF,16V
C4715		NCB21CK-105X	CAPACITOR,C,D,E,F	1µF,16V	C6308		NBE20JM-106X	T CAPACITOR	10µF,6.3V
C4717		NCB31EK-103X	CAPACITOR,C	0.01µF,25V	C6310		NCB31HK-102X	CAPACITOR	0.001µF,50V
C4718		NDC31HJ-240X	CAPACITOR,C	24pF,50V	C6401		NCB21CK-105X	CAPACITOR	1µF,16V
C4719		NCB31EK-103X	CAPACITOR,C,D,E,F	0.01µF,25V	C6402		NCF21CZ-105X	CAPACITOR	1µF,16V
C5203		NCB10JK-106X	CAPACITOR	10µF,6.3V	C6406		NCB31CK-683X	CAPACITOR	0.068µF,16V
C5207		NCB31EK-103X	CAPACITOR	0.01µF,25V	C6410		NCB21CK-474X	CAPACITOR	0.47µF,16V
C5208		NCB31EK-103X	CAPACITOR	0.01µF,25V	C6501		NCB21CK-105X	CAPACITOR	1µF,16V
C5209		NCB31EK-103X	CAPACITOR	0.01µF,25V	C6502		NCF21CZ-105X	CAPACITOR	1µF,16V
C5210		NCF31EZ-104X	CAPACITOR	0.1µF,25V	C6506		NCB21CK-224X	CAPACITOR	0.22µF,16V
C5211		NCB21CK-105X	CAPACITOR	1µF,16V	C6510		NCB31CK-104X	CAPACITOR	0.1µF,16V
C5212		NCB21CK-105X	CAPACITOR	1µF,16V	C6601		NCB11CK-225X	CAPACITOR	2.2µF,16V
C5213		NCB31HK-332X	CAPACITOR	0.0033µF,50V	C6602		NCF21CZ-105X	CAPACITOR	1µF,16V
C5214		NCB31EK-103X	CAPACITOR	0.01µF,25V	C6603		NCB11CK-475X	CAPACITOR	4.7µF,16V
C5218		NCF31EZ-104X	CAPACITOR	0.1µF,25V	C6605		NDC31HJ-331X	CAPACITOR	330pF,50V
C5219		NBP21CM-685X	T CAPACITOR	6.8µF,16V	C6606		NCF21CZ-105X	CAPACITOR	1µF,16V
C5221		NCB11EK-105X	CAPACITOR	1µF,25V	C6607		NCB11EK-105X	CAPACITOR	1µF,25V
C5222		NCB31CK-104X	CAPACITOR	0.1µF,16V	C6610		NCB31EK-103X	CAPACITOR	0.01µF,25V
C5223		NCF31EZ-104X	CAPACITOR	0.1µF,25V	C6616		NCB21CK-105X	CAPACITOR	1µF,16V
C5225		NCF31EZ-104X	CAPACITOR	0.1µF,25V	C6622		NCB21CK-105X	CAPACITOR	1µF,16V
C5227		NCB31CK-104X	CAPACITOR	0.1µF,16V	C6700		NCB31HK-272X	CAPACITOR	0.0027µF,50V
C5228		NCF31EZ-104X	CAPACITOR	0.1µF,25V	C6701		NCF21CZ-105X	CAPACITOR	1µF,16V
C5229		NCB11EK-105X	CAPACITOR	1µF,25V	C6702		NCB41CK-106X	CAPACITOR	10µF,16V
C5230		NCB21EK-104X	CAPACITOR	0.1µF,25V	C6711		NCB21HK-472X	CAPACITOR	0.0047µF,50V
C5232		NDC31HJ-100X	CAPACITOR	10pF,50V	C6802		NCF21CZ-105X	CAPACITOR	1µF,16V
C5233		NDC31HJ-100X	CAPACITOR	10pF,50V	C6805		NCB31HK-102X	CAPACITOR	0.001µF,50V
C5234		NDC31HJ-100X	CAPACITOR	10pF,50V	C6810		NCB31EK-103X	CAPACITOR	0.01µF,25V
C5235		NDC31HJ-100X	CAPACITOR	10pF,50V	C6812		NCF21CZ-105X	CAPACITOR	1µF,16V
C5236		NDC31HJ-100X	CAPACITOR	10pF,50V	C6820		NCB31HK-102X	CAPACITOR	0.001µF,50V
C5237		NDC31HJ-100X	CAPACITOR	10pF,50V	C7001		NCB31EK-103X	CAPACITOR	0.01µF,25V
C6002		NEA71CM-106X	E CAPACITOR	10µF,16V	C7002		NBE20JM-106X	T CAPACITOR	10µF,6.3V
C6004		NCF21CZ-105X	CAPACITOR	1µF,16V	C7019		NDC31HJ-121X	CAPACITOR	120pF,50V
C6005		NCB21CK-105X	CAPACITOR	1µF,16V	C7020		NDC31HJ-151X	CAPACITOR	150pF,50V
C6006		NCF21CZ-105X	CAPACITOR	1µF,16V	C7021		NBP41EM-475X	T CAPACITOR	4.7µF,25V
C6007		NCB21CK-105X	CAPACITOR	1µF,16V	C7022		NCB31EK-103X	CAPACITOR	0.01µF,25V
C6009		NDC31HJ-820X	CAPACITOR	82pF,50V	C7023		NCB31EK-103X	CAPACITOR	0.01µF,25V
C6010		NCB21CK-105X	CAPACITOR	1µF,16V	C7024		NBP41EM-475X	T CAPACITOR	4.7µF,25V
C6011		NCB21CK-104X	CAPACITOR	0.1µF,16V	C7025		NCB31EK-103X	CAPACITOR	0.01µF,25V
C6012		NCB21CK-224X	CAPACITOR	0.22µF,16V	C7026		NBE20JM-106X	T CAPACITOR	10µF,6.3V
C6013		NCB31EK-473X	CAPACITOR	0.047µF,25V	C7028		NCB31EK-103X	CAPACITOR	0.01µF,25V
C6014		NCB31EK-473X	CAPACITOR	0.047µF,25V	C7029		NCB31CK-104X	CAPACITOR,A,B,C	0.1µF,16V
C6015		NCB31EK-473X	CAPACITOR	0.047µF,25V	C7030		NCB31EK-103X	CAPACITOR	0.01µF,25V
C6016		NCB31EK-473X	CAPACITOR	0.047µF,25V	C7031		NDC31HJ-220X	CAPACITOR	22pF,50V
C6017		NCF21CZ-105X	CAPACITOR	1µF,16V	C7032		NCB31CK-104X	CAPACITOR	0.1µF,16V
C6101		NCB21CK-105X	CAPACITOR	1µF,16V	C7033		NCB21CK-334X	CAPACITOR	0.33µF,16V
C6102		NCB10JK-106X	CAPACITOR	10µF,6.3V	C7034		NDC31HJ-331X	CAPACITOR	330pF,50V
C6105		NCB31HK-102X	CAPACITOR	0.001µF,50V	C7035		NDC31HJ-330X	CAPACITOR	33pF,50V
C6106		NCF21CZ-105X	CAPACITOR	1µF,16V	C7036		NCB31CK-104X	CAPACITOR	0.1µF,16V
C6107		NCF21CZ-105X	CAPACITOR	1µF,16V	C7037		NDC31HJ-330X	CAPACITOR	33pF,50V
C6108		NCF21CZ-105X	CAPACITOR	1µF,16V	C7038		NCB31EK-103X	CAPACITOR	0.01µF,25V
C6110		NCB31HK-152X	CAPACITOR	0.0015µF,50V	C7039		NBP41CM-106X	T CAPACITOR	10µF,16V
C6201		NCB21CK-105X	CAPACITOR	1µF,16V	C7042		NCB31EK-103X	CAPACITOR	0.01µF,25V
C6202		NCB10JK-106X	CAPACITOR	10µF,6.3V	C7045		NDC31HJ-100X	CAPACITOR	10pF,50V
C6203		NEA70JM-476X	E CAPACITOR	47µF,6.3V	C7046		NDC31HJ-100X	CAPACITOR	10pF,50V
C6205		NCB31HK-472X	CAPACITOR	0.0047µF,50V	C7047		NDC31HJ-100X	CAPACITOR	10pF,50V

#	△ REF No.	PART No.	PART NAME, DESCRIPTION	
C7048		NBE20JM-106X	T CAPACITOR	10μF,6.3V
C7051		NCB31EK-103X	CAPACITOR	0.01μF,25V
C7052		NBE20JM-106X	T CAPACITOR	10μF,6.3V
C7053		NCB31EK-103X	CAPACITOR	0.01μF,25V
C7054		NBP41EM-475X	T CAPACITOR	4.7μF,25V
C7057		NCB31EK-682X	CAPACITOR,A,B,C	0.0068μF,25V
C7059		NBP41EM-475X	T CAPACITOR	4.7μF,25V
C7060		NCB11CK-225X	CAPACITOR	2.2μF,16V
C7064		NCB11EK-105X	CAPACITOR	1μF,25V
C7065		NCB11EK-105X	CAPACITOR	1μF,25V
C7066		NCB11EK-105X	CAPACITOR	1μF,25V
C7067		NCB31CK-104X	CAPACITOR	0.1μF,16V
C7069		NCB31EK-103X	CAPACITOR	0.01μF,25V
L101		NQL034K-330X	COIL	33μH
L501		NQR0129-002X	FERRITE BEAD	
L1601		NQL38DK-100X	COIL	10μH
L1602		NQL144K-100X	COIL	10μH
L2001		NQL144K-101X	COIL	100μH
L2003		NQL034K-470X	COIL	47μH
L2021		NQL144K-470X	COIL	47μH
L2051		NRSA63J-0R0X	MG RESISTOR	0Ω,1/16W
L2052		NRSA63J-0R0X	MG RESISTOR	0Ω,1/16W
L2071		NRSA63J-0R0X	MG RESISTOR	0Ω,1/16W
L2072		NRSA63J-0R0X	MG RESISTOR	0Ω,1/16W
L2401		NQL144K-470X	COIL	47μH
L3002		NQR0006-001X	FERRITE BEAD	
L3003		NQR0129-002X	FERRITE BEAD	
L3502		NQL38DK-220X	COIL	22μH
L3503		NQL085J-5R6X	COIL	5.6μH
L4005		NQL38DK-220X	COIL	22μH
L4201		NQR0006-001X	FERRITE BEAD	
L4501		NQR0006-001X	FERRITE BEAD	
L4502		NQL034K-220X	COIL	22μH
L4701		NQL38DK-220X	COIL	22μH
L4702		NQL085J-560X	COIL,C	56μH
L5201		NQL38DK-470X	COIL	47μH
L5202		NQL38DK-220X	COIL	22μH
L5203		NQL38DK-220X	COIL	22μH
L6001		NQL52EM-100X	COIL	10μH
L6002		NQL52EM-100X	COIL	10μH
L6101		NQL52EM-390X	COIL	39μH
L6106		NQL144K-101X	COIL	100μH
L6107		NQL144K-101X	COIL	100μH
L6201		NQL52EM-470X	COIL	47μH
L6301		NQL52EM-390X	COIL	39μH
L6306		NQL52EM-470X	COIL	47μH
L6401		NQL52EM-470X	COIL	47μH
L6501		NQL52EM-470X	COIL	47μH
L6601		NQL52EM-221X	COIL	220μH
L6602		NQL144K-221X	COIL	220μH
L6606		NQL144K-220X	COIL	22μH
L6701		NQL52EM-100X	COIL	10μH
L7001		NQL38DK-220X	COIL	22μH
L7005		NQL38DK-220X	COIL	22μH
L7006		NQL38DK-220X	COIL	22μH
L7007		NQL38DK-220X	COIL	22μH
L7008		NQL38DK-220X	COIL	22μH
L7009		NQL38DK-220X	COIL	22μH
L7010		NQL085J-4R7X	COIL	4.7μH
L7012		NQL144K-100X	COIL	10μH
FL4701		NQR0005-001X	LC TRAP,C	

#	△ REF No.	PART No.	PART NAME, DESCRIPTION	
FL4702		NQR0268-001X	BAND PASS FILTER,C	
X101		NAX0251-001X	CRYSTAL RESONATOR	
X102		NAX0325-001X	CRYSTAL RESONATOR	
X3001		QAX0596-001	CRYSTAL RESONATOR	
WR1		WJV0039-001A	E-PRIMARY WIRE, JUMP WIRE	
WR2		WJM0180-001A	E-SI C WIRE C-F,JP4001/JP4002,F	
WR3		YU40017-013-1	THIN WIRE,JP2005-SD1,F	
△ J101		QAB0022-001	LI BATTERY	
J504		LY31356-002A	JACK UNIT	
J505		QND0068-001	S JACK,C,D,E,F	
CN1		QGF0507F3-10X	FFC/FPC CONNECTOR	
CN2		QGF0507F3-14X	FFC/FPC CONNECTOR	
CN3		QGF0505F2-18X	FPC CONNECTOR	
CN4		QGA1201F2-06X	CONNECTOR	
CN5		QGF0507F1-11X	FPC CONNECTOR	
CN7		QGF0507F3-11X	FFC/FPC CONNECTOR	
CN8		QGA1201C2-02X	CONNECTOR	
CN12		QGA1201F2-05X	CONNECTOR	
CN13		QGF0507F3-14X	FFC/FPC CONNECTOR	
CN15		QGF0507F1-22X	FPC CONNECTOR	
CN16		QGF0305F1-33X	FPC CONNECTOR	
CN18		QGF0507F3-12X	FFC/FPC CONNECTOR	
CN19		QGF0301F1-39X	FPC CONNECTOR,F	
CN22		QGF0507F3-14X	FFC/FPC CONNECTOR	
CN25		QGB0506L1-30X	CONNECTOR	
CN27		QGA1201C2-02X	CONNECTOR	
CN28		QGA1002F1-13X	CONNECTOR	
△ F6001		NMFZ007-2R0X-K	FUSE	T2.0A
△ F6002		NMFZ010-R50X-A	FUSE	T0.5A
SD1		LY42914-001A	SHIELD PLATE	
SD2		LY42845-001A	SHIELD SHEET,F	
OT1		LY30016-049A	SPACER-A,FOR WR1	
OT2		LY30029-0B6A	SPACER(A),FOR LI BATTERY	

DSC BOARD ASSEMBLY <08> (SXM770A)

PW	YB20898A	DSC BOARD ASSY	
IC8001	JCY0076B	IC	
IC8002	M32000D3FP	IC	
	or M32000D4AFP	IC(MICRO C ROM)	
	or M32000D4BFP	IC(MICRO C ROM)	
IC8003	TC58FVT16FT0/79	IC(MICRO C ROM)	
IC8006	MAX3221CAE	IC	
IC8007	TC7WU04FU	IC(DIGITAL)	
R8002	NRSA63J-101X	MG RESISTOR	100Ω,1/16W
R8003	NRSA63J-101X	MG RESISTOR	100Ω,1/16W
R8004	NRSA63J-104X	MG RESISTOR	100kΩ,1/16W
R8005	NRSA63J-104X	MG RESISTOR	100kΩ,1/16W
R8006	NRSA63J-102X	MG RESISTOR	1kΩ,1/16W
R8007	NRSA63J-0R0X	MG RESISTOR	0Ω,1/16W
R8012	NRSA63J-472X	MG RESISTOR	4.7kΩ,1/16W
R8014	NRSA63J-100X	MG RESISTOR	10Ω,1/16W
R8015	NRSA63J-100X	MG RESISTOR	10Ω,1/16W
R8016	NRSA63J-100X	MG RESISTOR	10Ω,1/16W
R8017	NRSA63J-100X	MG RESISTOR	10Ω,1/16W
R8018	NRSA63J-100X	MG RESISTOR	10Ω,1/16W

# ▲ REF No.	PART No.	PART NAME, DESCRIPTION		# ▲ REF No.	PART No.	PART NAME, DESCRIPTION
R8019	NRSA63J-100X	MG RESISTOR	10Ω,1/16W			
R8020	NRSA63J-100X	MG RESISTOR	10Ω,1/16W			
R8021	NRSA63J-100X	MG RESISTOR	10Ω,1/16W			
R8022	NRSA63J-100X	MG RESISTOR	10Ω,1/16W			
R8023	NRSA63J-100X	MG RESISTOR	10Ω,1/16W			
R8024	NRSA63J-100X	MG RESISTOR	10Ω,1/16W			
R8025	NRSA63J-100X	MG RESISTOR	10Ω,1/16W			
R8026	NRSA63J-100X	MG RESISTOR	10Ω,1/16W			
R8027	NRSA63J-105X	MG RESISTOR	1MΩ,1/16W			
R8029	NRSA63J-0R0X	MG RESISTOR	0Ω,1/16W			
R8030	NRSA63J-0R0X	MG RESISTOR	0Ω,1/16W			
C8001	NCB31CK-104X	CAPACITOR	0.1μF,16V			
C8002	NBE20JM-106X	T CAPACITOR	10μF,6.3V			
C8003	NCB31CK-104X	CAPACITOR	0.1μF,16V			
C8005	NCB31CK-104X	CAPACITOR	0.1μF,16V			
C8006	NCB31CK-104X	CAPACITOR	0.1μF,16V			
C8007	NCB31CK-104X	CAPACITOR	0.1μF,16V			
C8008	NCB31CK-104X	CAPACITOR	0.1μF,16V			
C8009	NCB31CK-104X	CAPACITOR	0.1μF,16V			
C8010	NCB31CK-104X	CAPACITOR	0.1μF,16V			
C8011	NCB31CK-104X	CAPACITOR	0.1μF,16V			
C8012	NCB31CK-104X	CAPACITOR	0.1μF,16V			
C8013	NCB31CK-104X	CAPACITOR	0.1μF,16V			
C8014	NBE50JM-107X	T CAPACITOR	100μF,6.3V			
C8015	NCB31CK-104X	CAPACITOR	0.1μF,16V			
C8016	NCB31CK-104X	CAPACITOR	0.1μF,16V			
C8017	NCB31HK-102X	CAPACITOR	0.001μF,50V			
C8018	NCB31CK-104X	CAPACITOR	0.1μF,16V			
C8019	NCB31CK-104X	CAPACITOR	0.1μF,16V			
C8020	NCB31CK-104X	CAPACITOR	0.1μF,16V			
C8021	NCB31CK-104X	CAPACITOR	0.1μF,16V			
C8022	NCB31CK-104X	CAPACITOR	0.1μF,16V			
C8023	NCB31CK-104X	CAPACITOR	0.1μF,16V			
C8024	NCB31CK-104X	CAPACITOR	0.1μF,16V			
C8025	NBE50JM-107X	T CAPACITOR	100μF,6.3V			
C8026	NCB31CK-104X	CAPACITOR	0.1μF,16V			
C8032	NCB31CK-104X	CAPACITOR	0.1μF,16V			
C8033	NCB31CK-104X	CAPACITOR	0.1μF,16V			
C8034	NCB31CK-104X	CAPACITOR	0.1μF,16V			
C8035	NCB31CK-104X	CAPACITOR	0.1μF,16V			
C8036	NCB31CK-104X	CAPACITOR	0.1μF,16V			
C8037	NCB31CK-104X	CAPACITOR	0.1μF,16V			
C8038	NBE20JM-106X	T CAPACITOR	10μF,6.3V			
C8040	NDC31HJ-270X	CAPACITOR	27pF,50V			
C8041	NBE20JM-106X	T CAPACITOR	10μF,6.3V			
C8042	NBE20JM-106X	T CAPACITOR	10μF,6.3V			
C8043	NBE20JM-106X	T CAPACITOR	10μF,6.3V			
C8044	NBE20JM-106X	T CAPACITOR	10μF,6.3V			
L8001	NQL024J-100X	COIL	10μH			
L8002	NQL034K-150X	COIL	15μH			
L8003	NQL024J-100X	COIL	10μH			
L8004	NQL024J-100X	COIL	10μH			
L8005	NQR0129-002X	FERRITE BEAD				
X8001	NAX0354-001X	RESONATOR				
WR1	WJM0179-001A	E-SI C WIRE C-F,JP8001/JP8002				
J8001	QNS0181-001	2.5 JACK				
CN8001	QGF0301F1-39X	FPC CONNECTOR				